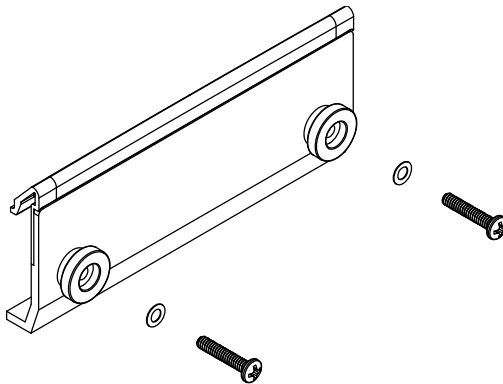




THE STANDARD FOR ENERGY & POWER MEASUREMENT

DRANETZ  
**HDPQ**<sup>®</sup>  
**XPLORER / GUIDE / VISA**

**Keyhole Mounting Kit 118313-G1**



*User Instructions*

---

*Dranetz • 1000 New Durham Road  
Edison, New Jersey 08818  
Telephone 1-800-372-6832 or 732-287-3680  
Fax 732-248-1834 • [www.dranetz.com](http://www.dranetz.com)*

Published by Dranetz  
1000 New Durham Road  
Edison, NJ 08818-4019 USA  
Telephone: 1-800-372-6832 or 732-287-3680  
Fax: 732-248-1834  
Web site: [www.dranetz.com](http://www.dranetz.com)  
Copyright ©2014 Dranetz  
All rights reserved.

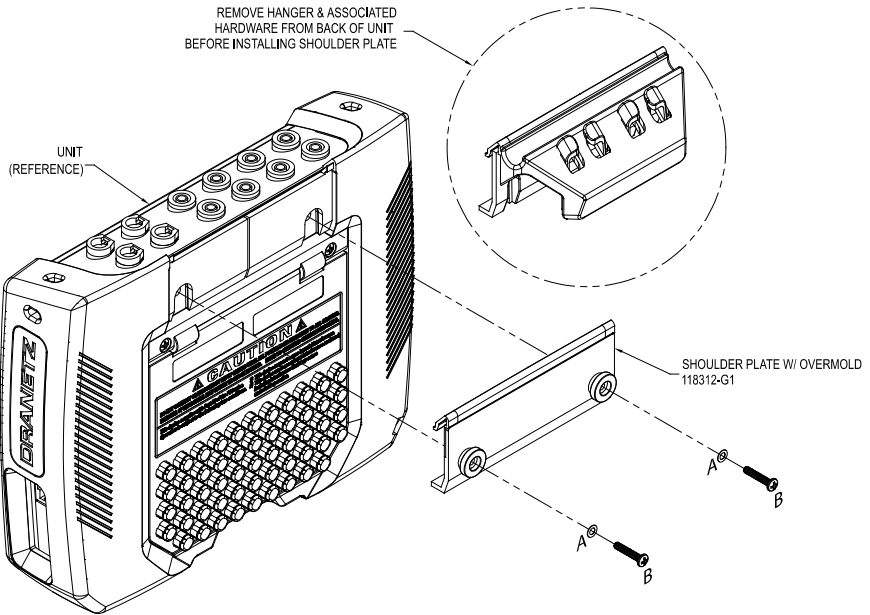
*No part of this book may be reproduced, stored in a retrieval system, or transcribed in any form or by any means—electronic, mechanical, photocopying, recording, or otherwise—without prior written permission from the publisher, Dranetz, Edison, NJ 08818-4019.*  
Printed in the United States of America.

P/N 899240 Rev A

The Keyhole Mounting Kit allows the HDPQ-Xplorer, Guide, or Visa to be wall mounted or installed in the optional Weather Resistant Enclosure (P/N ENCL-HDPQ)

## INSTRUCTIONS:

1. Remove the hanger bracket from the instrument by removing two #6-32 x 5/16" long screws and two flat washers from the hanger bracket.
2. Replace the hanger bracket with the keyhole mounting plate (P/N 118312-G1) and secure it to the instrument with the supplied hardware (two #6-32 x 3/4" inch long screws and two flat washers) as shown.





1000 New Durham Road  
Edison, NJ 08818  
Telephone 1-800-372-6832  
Fax 732-248-1834  
[www.dranetz.com](http://www.dranetz.com)